

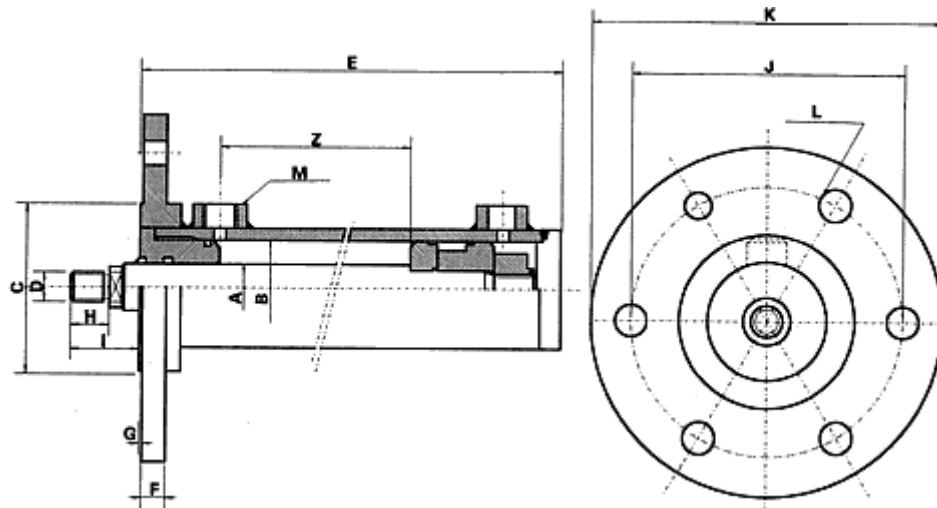
Home > Catálogo on-line

Linha de Produtos:



Cilindro Hidráulico - Duplo Efeito - Flange Dianteira (Prensas)

Dimensional:



Referência	A	B	Z	E	C	D	F	G	H	I	J	K	L	M	Vol (ltr)	Peso (kg)
751/05	25	40	50	158	70	M16X1,5	14	2	16	30	100	125	11	3/8	0.06	3.2
751/10			100	208	70	M16X1,5	14	2	16	30	100	125	11	3/8	0.13	3.7
751/15			150	258	70	M16X1,5	14	2	16	30	100	125	11	3/8	0.18	4.2
751/20			200	308	70	M16X1,5	14	2	16	30	100	125	11	3/8	0.25	4.7
753/05	30	60	50	178	95	M22X1,5	20	2	22	39	130	160	13	3/8	0.15	6.7
753/10			100	228	95	M22X1,5	20	2	22	39	130	160	13	3/8	0.30	7.4
753/15			150	278	95	M22X1,5	20	2	22	39	130	160	13	3/8	0.45	8.0
753/20			200	328	95	M22X1,5	20	2	22	39	130	160	13	3/8	0.60	8.7
754/05	40	70	50	207	100	M27X2	22	2	28	58	130	160	15	3/8	0.19	11.3
754/10			100	257	100	M27X2	22	2	28	58	130	160	15	3/8	0.39	12.3
754/15			150	307	100	M27X2	22	2	28	58	130	160	15	3/8	0.58	13.3
754/20			200	357	100	M27X2	22	2	28	58	130	160	15	3/8	0.77	14.3
755/05	40	80	50	211	110	M27X2	22	2	28	58	142	190	15	3/8	0.25	11.8
755/10			100	261	110	M27X2	22	2	28	58	142	190	15	3/8	0.50	12.8
755/15			150	311	110	M27X2	22	2	28	58	142	190	15	3/8	0.75	13.8
755/20			200	361	110	M27X2	22	2	28	58	142	190	15	3/8	1.00	14.8
756/05			50	225	135	M33X2	25	2	45	68	170	202	17	3/8	0.40	18.0

756/10	50	100	100	275	135	M33X2	25	2	45	68	170	202	17	3/8	0.80	20.0
756/15			150	325	135	M33X2	25	2	45	68	170	202	17	3/8	1.20	22.0
756/20			200	375	135	M33X2	25	2	45	68	170	202	17	3/8	1.60	24.0
757/05	70	120	50	240	170	M48X2	30	2	50	78	210	250	21	1/2	0.57	34.5
757/10			100	290	170	M48X2	30	2	50	78	210	250	21	1/2	1.13	37.0
757/15			150	340	170	M48X2	30	2	50	78	210	250	21	1/2	1.70	39.5
757/20			200	390	170	M48X2	30	2	50	78	210	250	21	1/2	2.26	42.0
758/05	80	140	50	270	200	M56X2	34	3	55	87	230	280	21	1/2	0.77	47.5
758/10			100	320	200	M56X2	34	3	55	87	230	280	21	1/2	1.54	51.0
758/15			150	370	200	M56X2	34	3	55	87	230	280	21	1/2	2.31	55.0
758/20			200	420	200	M56X2	34	3	55	87	230	280	21	1/2	3.08	59.0
759/05	90	160	50	270	215	M65X2	37	3	65	97	265	315	29	3/4	1.00	71.9
759/10			100	320	215	M65X2	37	3	65	97	265	315	29	3/4	2.01	76.5
759/15			150	370	215	M65X2	37	3	65	97	265	315	29	3/4	3.01	81.1
759/20			200	420	215	M65X2	37	3	65	97	265	315	29	3/4	4.02	85.7
750/05	100	200	50	288	265	M80X3	40	3	80	122	325	380	31	3/4	1.57	115
750/10			100	338	265	M80X3	40	3	80	122	325	380	31	3/4	3.14	122
750/15			150	388	265	M80X3	40	3	80	122	325	380	31	3/4	4.71	129
750/20			200	438	265	M80X3	40	3	80	122	325	380	31	3/4	6.28	136

Dimensional:

Multi-Conex Componentes Industriais LTDA. info@multiconex.com.br (19) 3245-9444



Site designed by **Mr. Web - Midia Interativa**